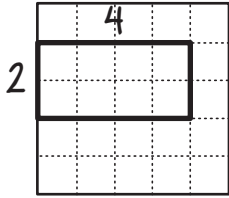
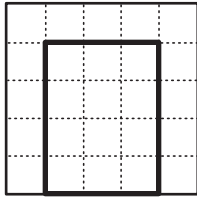
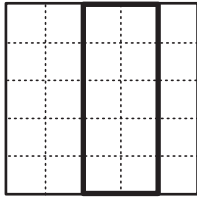


NAME _____

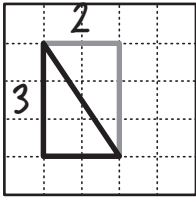
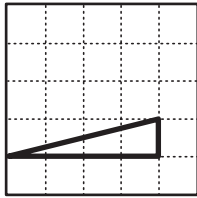
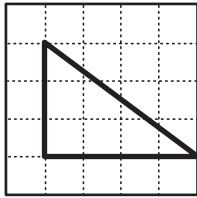
DATE _____

Finding the Areas of Rectangles, Triangles & Parallelograms

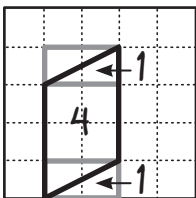
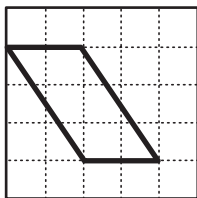
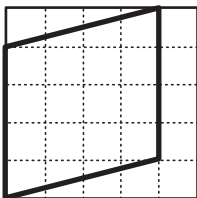
1 Find the area of each rectangle below. Each small square has an area of 1 square unit.

<p>ex</p>  <p>$2 \times 4 = 8$ 8 square units</p>	<p>a</p> 	<p>b</p> 
----------------------------------------------------------------------------------------------------------------------------------------------------------	---------------------------------------------------------------------------------------------------	-----------------------------------------------------------------------------------------------------

2 Find the area of each triangle below. Each small square has an area of 1 square unit.

<p>ex</p>  <p>$(3 \times 2) \div 2 = 3$ 3 square units</p>	<p>a</p> 	<p>b</p> 
---------------------------------------------------------------------------------------------------------------------------------------------------------------------	-----------------------------------------------------------------------------------------------------	-------------------------------------------------------------------------------------------------------

3 Find the area of each parallelogram below. Each small square has an area of 1 square unit.

<p>ex</p>  <p>$2 \div 2 = 1$ $2 \times 2 = 4$ $1 + 1 + 4 = 6$ 6 square units</p>	<p>a</p> 	<p>b</p> 
-------------------------------------------------------------------------------------------------------------------------------------------------------------------------------------------------------------------------	-----------------------------------------------------------------------------------------------------	-------------------------------------------------------------------------------------------------------